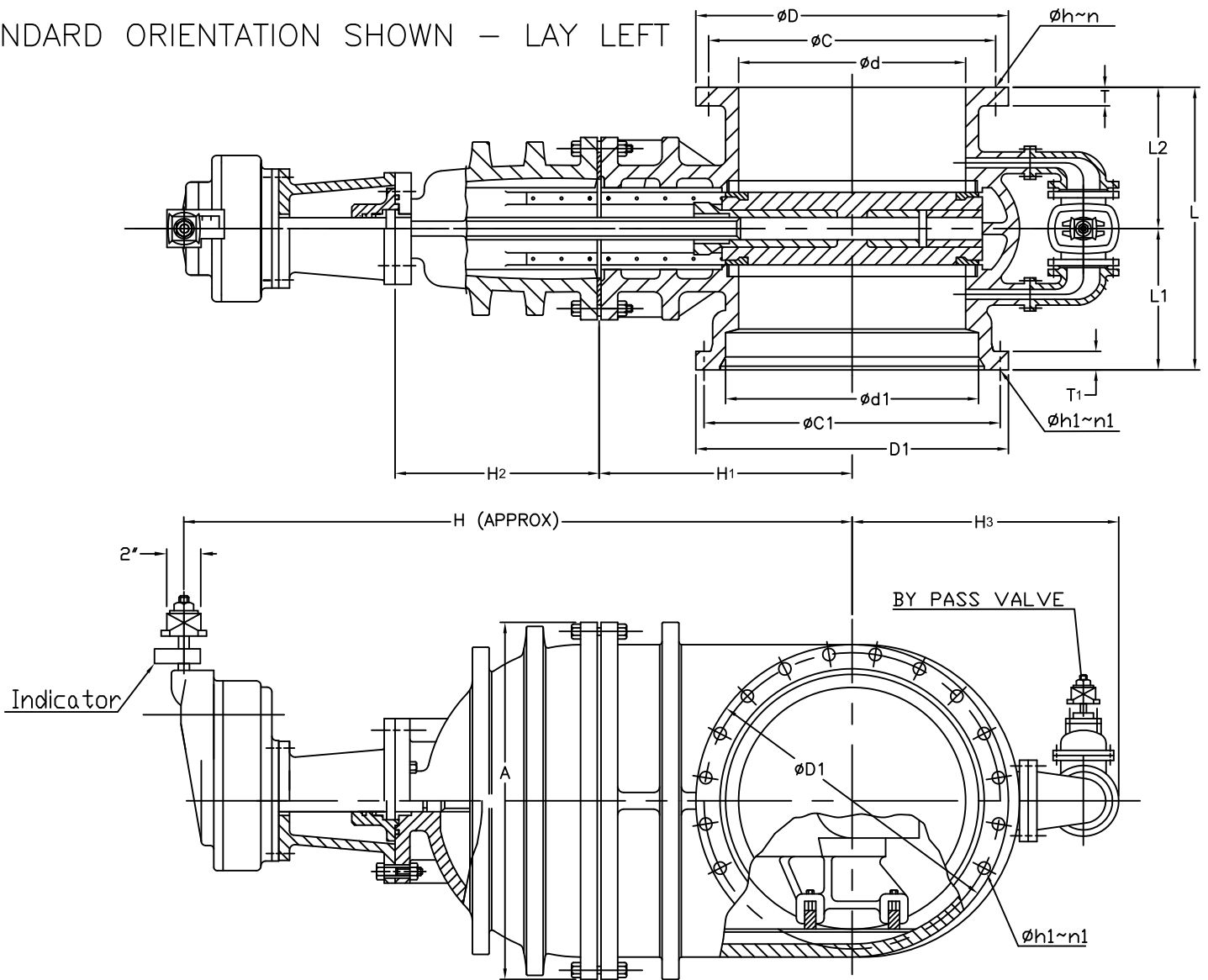


STANDARD ORIENTATION SHOWN - LAY LEFT



SIZE ϕd	NO. TURNS OPEN/CLOSE	L	L1	L2	ϕD	ϕC	ϕh	n	T
30	259.00	34.25	19.25	15.00	38.75	36.00	1.38	28.00	2.13
36	459.75	37.50	21.00	16.50	46.00	42.75	1.63	32.00	2.38
42	536.25	38.88	22.00	17.88	53.00	49.50	1.63	36.00	2.63
48	818.00	44.00	24.00	20.00	59.50	56.00	1.63	44.00	2.75

SIZE ϕd	$\phi D1$	$\phi C1$	$\phi d1$	$\phi h1$	n1	T1	H1	H2	H3	H	A	BY-PASS SIZE
30	39.13	36.94	32.17	1.13	20	1.81	30.00	27.38	35.88	71.50	44.13	4.00
36	46.00	43.75	38.47	1.13	24	2.00	36.25	30.56	39.38	81.75	52.25	6.00
42	53.13	50.63	44.67	1.38	28	2.00	40.27	37.87	44.63	95.50	58.50	8.00
48	60.00	57.50	50.97	1.38	32	2.00	37.75	52.38	55.88	109.25	69.00	8.00

Notes :

1. View is looking into the mj end of the valve.
2. The mechanical joint end connection complies with ANSI/AWWA C111/A21.11 and the flanged end connection complies with ANSI B16.1 class 125# drilling.

AMERICAN R/D
ANNISTON, ALABAMA
A DIVISION OF MCWANE INC.

DWN: TBG
DATE: 11/19/09
DWG. NO.
525-30~48-BGBBP-ON

30" - 48" NRS ROTATING DISC
GATE VALVE - AWWA C500
MJ x FL END W/ BEVEL GEAR
GENERAL DIMS. - MODEL 525