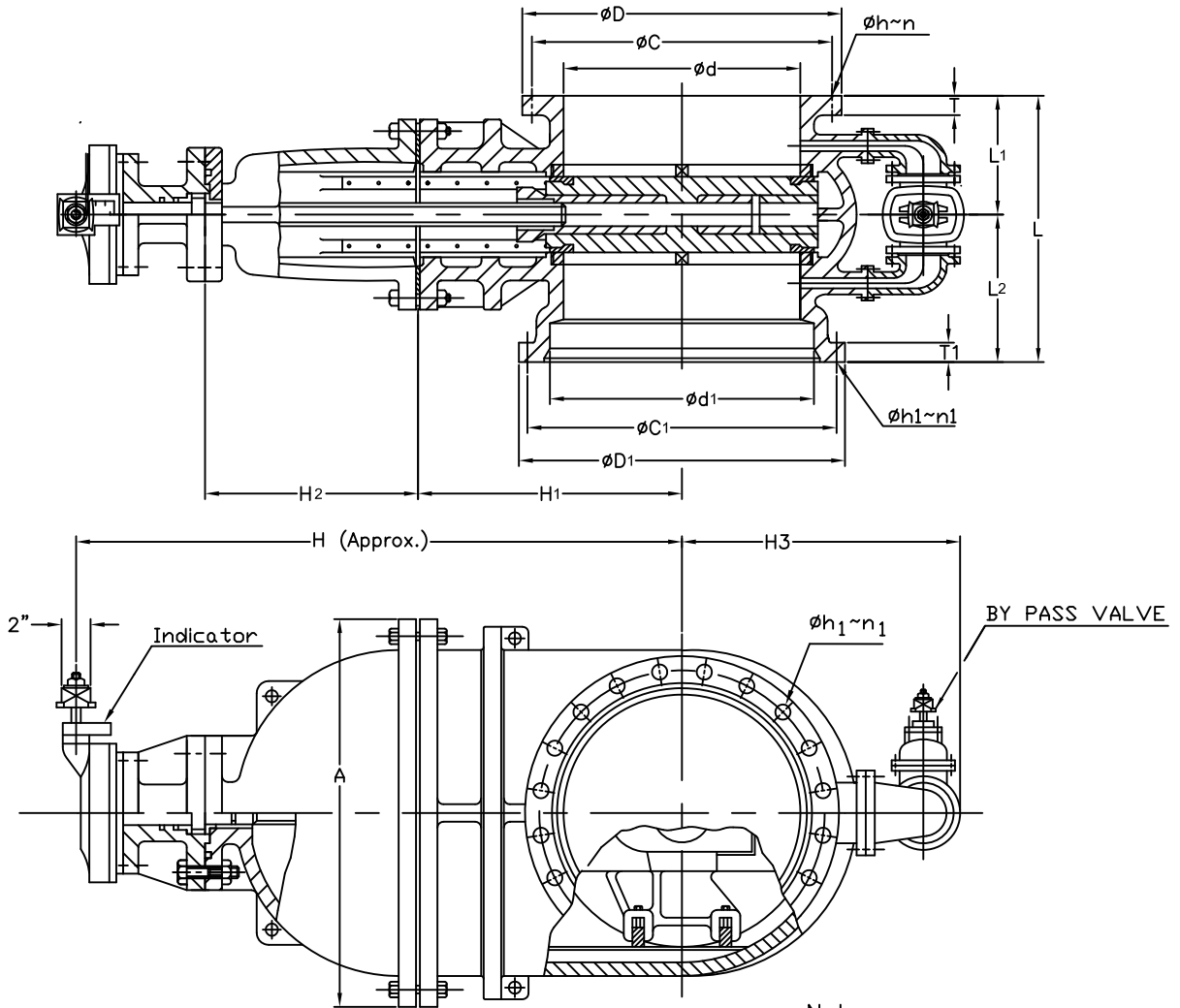


STANDARD ORIENTATION SHOWN – LAY LEFT



Notes :

1. View is looking into the mj end of the valve.
2. The mechanical joint end connection complies with ANSI/AWWA C111/A21.11 and the flanged end connection complies with ANSI B16.1 class 125# drilling.

SIZE $\phi d$	NO. TURNS OPEN/CLOSE	L	L1	L2	$\phi D$	$\phi C$	$\phi h$	n	T
16	159.00	20.75	10.25	10.50	23.50	21.25	1.13	16.00	1.44
18	174.00	25.25	11.00	14.25	25.00	22.75	1.25	16.00	1.56
20	195.00	24.25	11.38	12.88	27.50	25.00	1.25	20.00	1.69
24	308.00	27.69	13.44	14.25	32.00	29.50	1.38	20.00	1.88

SIZE $\phi d$	$\phi D_1$	$\phi C_1$	$\phi d_1$	$\phi h_1$	n1	T1	H1	H2	H3	H	A	BY-PASS SIZE
16	23.00	21.00	18.63	0.88	12.00	1.38	16.50	16.81	26.81	46.25	26.14	3.00
18	24.75	23.25	20.75	0.88	12.00	1.44	20.00	14.50	27.44	47.88	28.56	3.00
20	27.00	25.50	22.88	0.88	14.00	1.50	21.88	17.25	29.38	52.25	32.05	3.00
24	31.63	30.00	27.06	0.88	16.00	1.63	23.50	22.25	32.81	59.50	37.63	4.00

AMERICAN R/D  
ANNISTON, ALABAMA  
A DIVISION OF MCWANE INC.

DWN: TBG  
DATE: 11/18/09  
DWG. NO.  
525-16~24-BGBBP-OR-ON

16" - 24" NRS ROTATING DISC  
GATE VALVE - AWWA C500  
MJ x FL END W/ BEVEL GEAR,  
BOTTOM BY-PASS & 2" OPER. NUT  
GENERAL DIMS. - MODEL 525